

DBP TECH SHEET

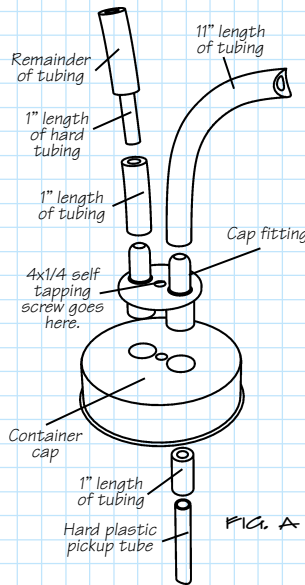
SIX SHOOTER FUEL PUMP

FEATURES

- High volume, hand operated rotary fuel pump – no stripped gears, batteries to charge, motors to short, or wires to cut.
- Self-priming and instantly reversable
- Available in glow (silicone) or gas/diesel (tygon) versions
- Mounts to a 1 gallon plastic fuel bottle or metal fuel can
- Easily replacable tubing element
- Includes fuel cap fittings and nylon mounting strap

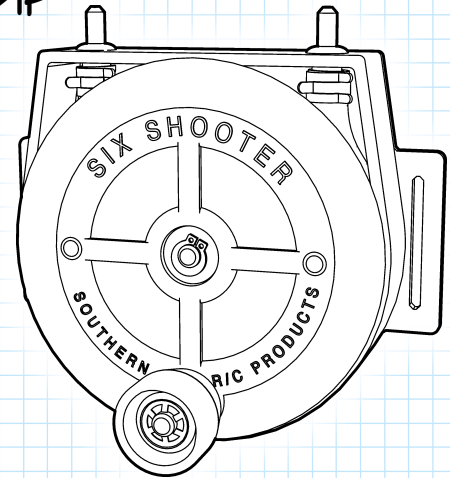
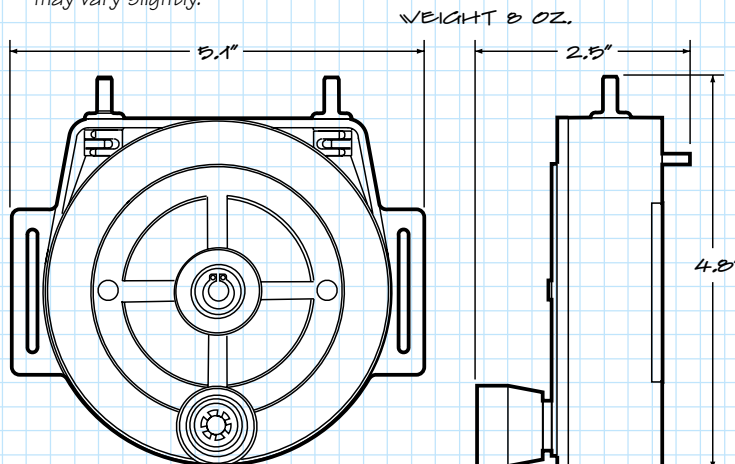
INSTALLATION TECHNIQUES

- Using a 1/8" drill, make a hole in the center of the cap of your one gallon fuel container.
- Using a 1/16" drill, make two holes on each side of the hole you just drilled. The centers of the holes should be 1/2" apart.
- Attach the cap fitting to the top of the cap using a #4 x 1/4 self-tapping screw. Do not overtighten!
- Lay out fuel tubing (approximately 3 feet long) in a stright line. Using a pair of scissors or a hobby knife, cut the tubing into the following four lengths – 1 piece, 1" long; 1 piece, 2" long; 1 piece, 11" long; 1 piece, remainder of tubing.
- Cut 1" off the length of the the piece of hard tubing which came with the Six Shooter.
- Assemble the tubing as shown in figure A
- Screw the cap onto your fuel bottle. Attach the two fuel lines to the fuel nipples of the Six Shooter. It makes no difference as to which line goes on wich nipple, since the Six Shooter can pump in either direction.



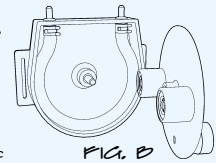
DIMENSIONS

- Due to shrinkage which occurs in the molding process, dimensions may vary slightly.



The Six Shooter features a replaceable tubing element. To replace the tubing, follow these few steps.

- Using a c-clip tool, remove the c-clip from the front of the Six Shooter – the c-clip is located in the center of the handle.
- Pull the handle assembly out from the body of the Six Shooter.
- Using a pair of pliers, remove both of the clamps which hold the tubing onto the fuel nipples.
- Clean the body of the Six Shooter (especially around the fuel nipples) with lacquer thinner.
- **THIS IS IMPORTANT!** Failure to do this will cause the tubing to slide off the fuel nipples when the pump is being used.
- Remove the new tubing and clamps from the Replacement Tubing Kit (GLTK - glow; GSTK - gas/diesel). Slide both clamps onto the tubing.
- Place the tubing into position, making sure it securely slides over both fuel mipples.. Using a pair of pliers, move both clamps into position, as shown in figure B
- Press the handle back into the body while twisting slightly. Re-attach the c-clip using the c-clip tool.



DAVE BROWN PRODUCTS INC.

SIX SHOOTER FUEL PUMP

4560 Layhigh Road
Hamilton, Ohio 45013
voice: 513.738.1576 fax: 513.738.0152

www.dbproducts.com