



CARBON FIBRE TAPE

CFTP-5220

12 FEET - .05 OZ. /FT.

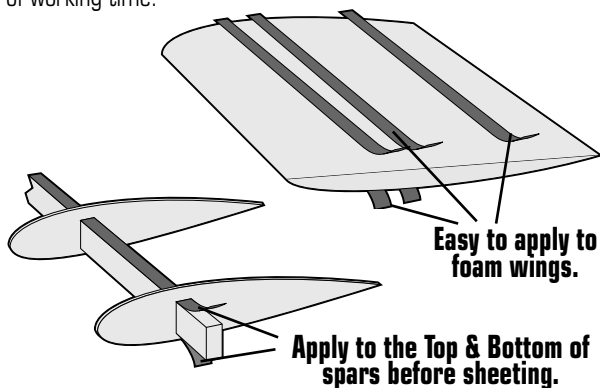
SPACE AGE MATERIAL FOR STRENGTHENING
FOAM WINGS OR Balsa FUSELAGES.

DAVE BROWN PRODUCTS INC.



INSTRUCTIONS:

Dave Brown Products' Carbon Fibre Tape is used to strengthen radio controlled planes, model rockets, sailplanes, etc. Any balsa, foam or wooden structure may be laminated to increase their strength up to 300%. Carbon Fibre Tape is typically applied to opposite sides of wing spars, ribs, fuselages and other structural members. It bonds well with epoxy resins familiar to most modelers, making it relatively easy to use. (You can also use cyanoacrylate (instant) glues with good results. Make sure to plan ahead when using instant glues because of the small amount of working time.



**Easy to apply to
foam wings.**

**Apply to the Top & Bottom of
spars before sheeting.**

Do not unwrap the Carbon Fibre Tape from the cardboard or take the masking tape off until ready use. When cutting this material, put a piece of masking tape on the Carbon Fibre, then cut through the tape. Failure to do this can result in a raveled mess.

We have found that the easiest way to apply this material is to lay it flat on a surface and smooth it out with your fingers. Cut the masking tape off the ends with scissors or a razor blade, then apply the adhesive (any 5 to 30 minute epoxy would work fine) to the FOAM or WOOD and carefully pick up the Carbon Fibre Tape by both ends and lay it on to the glue. Now, smooth the tape down with your fingers, squeezing the epoxy up through the carbon fibres. Once the epoxy has hardened, trim off the root end of the wing and sheet as normal.

CFTP-5220
MADE IN USA



7 09471 05220 3

DAVE BROWN PRODUCTS INC.

4560 LAYHIGH • HAMILTON, OH 45013